

Patent No. 2 317 672

The J42 meter service regulator is a completely new design to meet the current standards. It uses well proven principles of control dynamics together with modern assembly techniques to produce a regulator which offers excellent performance in a compact, low cost, maintenance free unit.

APPLICATION

The J42 is an angled type regulator designed for low pressure domestic meter applications with inlet pressures up to 350mb, with full lock-up capability and is available with or without integral under pressure cut off (UPCO). The Upco version has an automatic reset which re-establishes supply dependant upon the system integrity. It can be mounted in either a vertical or horizontal orientation, and is suitable for use with natural, liquid petroleum and manufactured gases.

PRESSURE

Maximum Inlet Pressure - 350mb.
Nominal Outlet Pressure - 21mb.
Cut Off Pressure - 12mb ± 2.5mb
(Other outlet pressure are available upon request)

CONTROL

The outlet pressure, set at the factory at 21mb, can be easily adjusted if necessary, between 19mb and 24.5mb, by turning the spring adjusting screw under the top cap. The removal of the top cap breaks barbed hooks that hold it in place, so is tamper evident. The top cap may be resealed again after use with a lead seal (not provided).

CONNECTIONS

The J42 is supplied as standard with a tapered screwed thread to BS21 (ISO 7). Outlet also available with gas meter coupling to BS746. Other threads may be available upon request.



SIZES

3/4" x 3/4" & 3/4" x meter union

TEMPERATURE

Ambient Temperature Range -20°C to +70°C

SERVICING

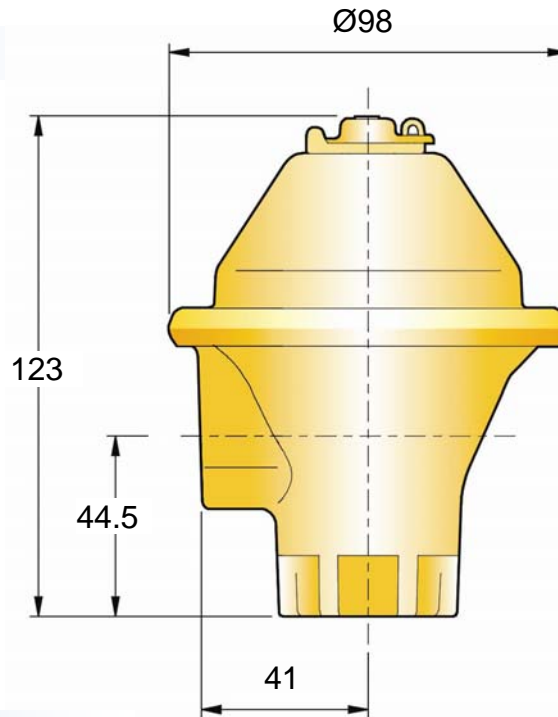
The J42 is a sealed unit and requires no servicing.

MATERIALS

Component	Material
Body and Top Cover	Aluminium
Diaphragms	Nitrile Rubber (Buna)
Valve Disc and "O"Rings	Nitrile Rubber (Buna)
Internal Support Structure	Acetal Resin
Top Cap	Acetal Resin (UV Stabilised)
Top Bush, Adjusting Screw	Zinc Alloy
Spring	Stainless Steel

DIMENSIONS

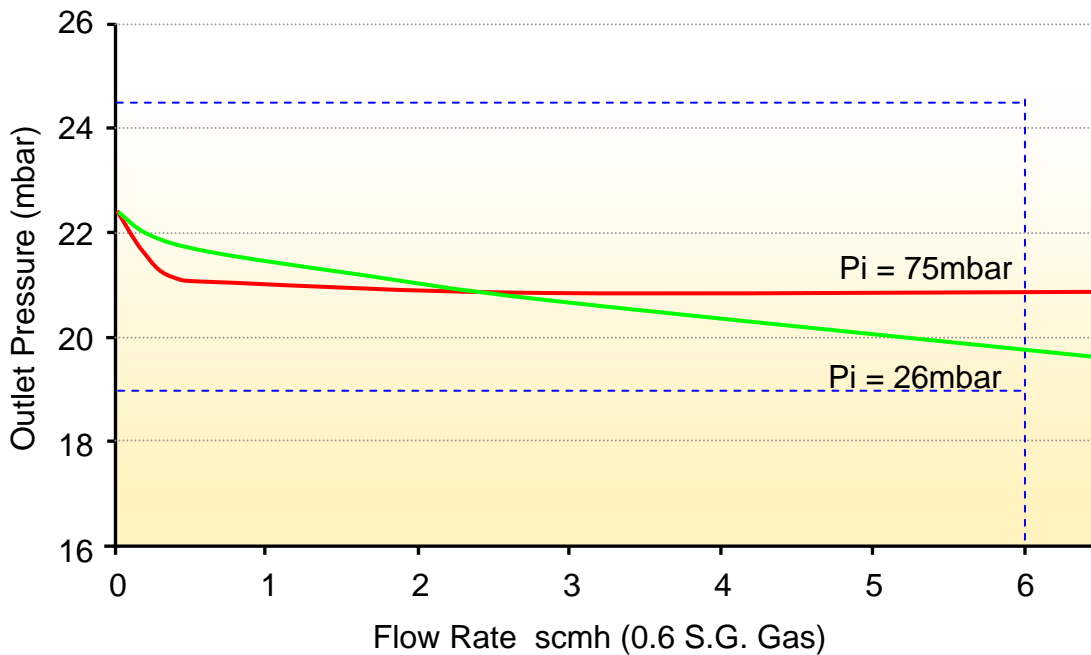
All dimensions in millimetres



WEIGHT

340g

PERFORMANCE



QUALITY

Elster Jeavons is committed to a programme of continuous quality enhancement. All equipment designed and manufactured by Elster Jeavons benefits from the company's quality assurance standards which are approved to BS EN ISO9001 : 1994.

Elster Jeavons has a programme of continuous product development and improvement and in consequence the information in this leaflet may be subject to change or modification without notice.